

Frame Guide

A comprehensive guide to accessories and frames for PR and VR embroidery machines.



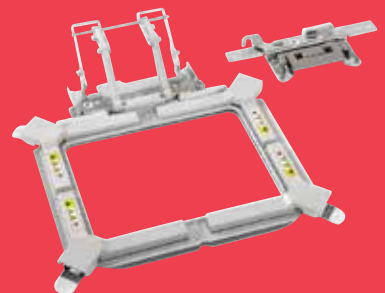
Standard Frames



Cap Frames



Magnetic Frames



Frame Holder A Accessories

Note:
PR frame holder A
VR frame holder a
 Compatibility varies by model and range, check the charts on pages 14-17 for frames that work with specific models.



PRH60
60 x 40mm Standard Embroidery Frame

60 x 40mm embroidery hoop for a variety of applications.



PRH100
100 x 100mm Standard Embroidery Frame

100 x 100mm embroidery hoop for a variety of applications.



PRH180
180 x 130mm Standard Embroidery Frame

180 x 130mm embroidery hoop for a variety of applications.



PRH300
300 x 200mm Standard Embroidery Frame

300 x 200mm embroidery hoop for a variety of applications.



PRF300
300 x 200mm Embroidery Flat Frame

The unique design of this flat frame prevents fabric bunching when embroidering any bulky material, even on the back of jackets.



PRPH360
360 x 200mm Standard Embroidery Frame

360 x 200mm embroidery hoop for a variety of applications.



PRF300
300 x 200mm Embroidery Flat Frame

200 x 200mm embroidery hoop for a variety of applications.



VRFF200
200 x 200mm Flat Frame

Embroider jackets and other thicker materials with this flat frame. Great for quilting.

Frame Holder B Accessories

Note:
PR frame holder B
VR frame holder b
 Compatibility varies by model and range, check the charts on pages 14-17 for frames that work with specific models.



PRHSL200
70 x 200mm Sleeve Frame

The 70 x 200mm frame is the perfect size for embroidering difficult to access areas such as jacket sleeves, pant legs, kids' T-shirts and baby rompers.

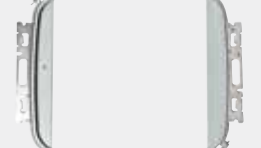
The sleeve frame features a unique 'wing' design in which the adjustable screw is placed at one corner, allowing the frame to hold your fabric more securely.



PRPQF200
200 x 200mm Square Quilt Frame

Use this frame for quilting, children's shirts and jacket backs, totes and backpacks.

For heavy objects the optional table is recommended.



PRPJF360
360 x 360mm Jumbo Embroidery Frame

Jumbo Embroidery Frame 360 x 360mm.

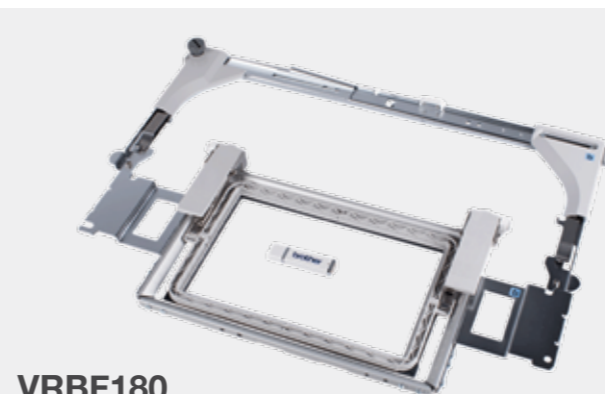
This is the largest frame available for a multi-needle embroidery machine.

Large designs require PE-Design 10 or above.



PRPBF1
300 x 100mm Border Frame

Re-hoop your fabric without removing the frame. Just release the latches, slide the fabric to the next embroidery position, and relock.



VRBF180
180 x 100mm Border Frame

Re-hoop your fabric without removing the frame. Just release the latches, slide the fabric to the next embroidery position, and relock.

Included are the 180 x 100mm border frame and a USB flash drive containing 50 border embroidery designs.

Frame Holder C Accessories

Note:
PR frame holder C
VR frame holder c
 Compatibility varies by model and range, check the charts on pages 14-17 for frames that work with specific models.



PRPRFK1
Round Frame Set for PR Series

Round frame set perfect for embroidery on shirts and other designs that needs more stability.

3 round frames - 100, 130 and 160mm included.

Includes Arm C Embroidery Frame Holder, which must be used with all frames in this kit.



VRRFK1
Round Frame Set for VR

Round frame set perfect for embroidery on shirts and other designs that needs more stability.

3 round frames - 100, 130 and 160mm included.

Includes Arm c Embroidery Frame Holder, which must be used with all frames in this kit.



PRPARMC
Arm C for Brother PR-Series Round Frames

Arm C is for use with the round frames to attach them to the machine.

Only the arm is included.

For the VR - Order Arm c part code XG1552101.

Frame Holder D Accessories

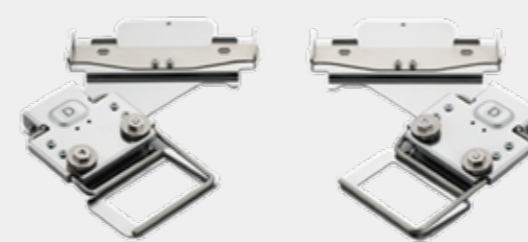
Note:
PR frame holder D
VR frame holder d
 Compatibility varies by model and range, check the charts on pages 14-17 for frames that work with specific models.



PRCLP45B
45 x 24mm Clamp Frame and Arm D

This Clamp frame has a small arm size that fits most shoe sides but still offers enough stitch field for logos, flags, initials, names, numbers, etc. The non-slip surface of the frame holds leather and nylon securely, making it ideal for various items such as backpacks, gloves, pockets, hats, cuffs, and more.

Includes mounting Arm D and forward-facing clamp frame 45 x 24mm.



PRCLP45LR
Clamp Frame 45 x 24mm left and right



Ideal to embroider on shoes, inner pockets, collars, cuffs, belts and other smaller areas.

The left and right clamp frames give you more opportunity to embroider onto difficult corners and hard to frame items.

45 degree left and right.

Arm D not included.



PRPRF100
100mm Round Frame

Additional round embroidery frame for PR-Series and VR round frame sets, PRPRFK1 / VRRFK1.



PRPRF130
130mm Round Frame

Additional round embroidery frame for PR-Series and VR round frame sets, PRPRFK1 / VRRFK1.



PRPRF160
160mm Round Frame

Additional round embroidery frame for PR-Series and VR round frame sets, PRPRFK1 / VRRFK1.

PRCLP100B
100 x 100mm Clamp Frame Set

VRCLP100B
100 x 100mm Clamp Frame Set



The click and snap design allows you to hoop your project easily in seconds – so much easier than using standard, two-piece frames! One side of the frame has a smooth, rubber grip, and the other side has a textured fabric grip – the combination of these two surfaces against your fabric helps keep your project in place, without damaging the fibres.

PRCLP100B includes arm D for PR series.
 VRCLP100B includes arm d for VR.



VRCLP45B
45 x 24mm Clamp Frame and Arm d

The arm size is designed to fit down into most shoe sides and still have an adequate stitch field for logos, flags, initials, names, numbers etc. The frame has a non-slip surface to hold leather and nylon secure during embroidery. It works well with backpacks, gloves, pockets, hats, cuffs and more!

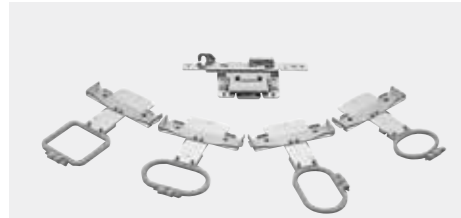
Includes mounting Arm d and forward facing clamp frame 45 x 24mm.

VR only.



Frame Holder E Accessories

Note:
PR frame holder E
VR frame holder e
 Compatibility varies by model and range, check the charts on pages 14-17 for frames that work with specific models.



PRSFK1
Compact Frame kit

This kit includes four mini frames, ranging in size from 44 x 38mm to 70 x 41mm. Allows you to easily add embroidery to smaller areas.
 Includes 4 frames: 44 x 38mm, 50 x 50mm, 33 x 75mm, 70 x 41mm.
 Includes Arm E Embroidery Frame Holder, which must be used with all frames in this kit.



PRMFA50
50 x 50mm Magnetic Frame and Arm

This frame allows you to embroider fabric without leaving hooping marks, especially for fabric prone to that.
 Arm E included. If you already have this arm, please choose PRMF50 magnetic frame only.



PRMF50
50 x 50mm Magnetic Frame

Magnetic frame only, for use with Arm E on PR series or Arm E on VR.
 Arm E is not included in this accessory. If you need Arm E, please choose PRMFA50.
 Arm e is include with the VR.



VRSF70
70 x 41mm Compact S Frame

70 x 41mm S Frame ideal for adding embroidery to pockets and sleeves.
 Requires the embroidery frame holder - Arm E for PR-Series. Arm e for VR.



VRSF50
50 x 50mm Compact S Frame

50 x 50mm S Frame ideal for adding embroidery to pockets and sleeves.
 Requires the embroidery frame holder - Arm E for PR-Series. Arm e for VR.



VRSF44
44 x 38mm Compact S Frame

44 x 38mm S Frame is ideal for adding embroidery to pockets and sleeves.
 Requires the embroidery frame holder - Arm E for PR-Series. Arm e for VR.



VRSFV
33 x 75mm Compact S Frame

33 x 75mm S Frame ideal for adding embroidery to pockets and sleeves.
 Requires the embroidery frame holder - Arm E for PR-Series. Arm e for VR.



PRMFJ1
Free-Arm Mounting Jig for Magnetic or Compact Frame

When embroidering cylindrical items, this mounting jig can be used to secure the magnetic frame or compact frame in order to hoop the fabric easily and securely.
 Compatible for hoops which use Arm E or e.

Table - Free Motion - Stands



PRTT1
Tubular Frame Table

Embroider easily on sleeves, trousers, and other tubular items. Serves as extra support for big fabrics. Easily attach and remove with no space between machine and table.
 Easy-to-attach to the machine (one-action).
 Table size is adjustable by spring allowing for smooth expandable movement of the frame and stable sewing.
 Foldable free arm makes storage easy.
 Can be used with all PR and VR models.



VRPRNSTD
Stand for Brother PR-Series and VR



Our stand, designed exclusively for the PR and VR Series, now has a wider table area with rounded edges and extra storage for all your large frames, like the Cap Frame and Cylinder Frame.
 Legs can be adjusted by 2 inch increments.
 Locking wheels allow for easy moving and transportation.
 Rubber and locks secure your machine and resist vibration while in use.
 Added space for the cap frame jig which is ideal for prepping hats for embroidery.
 Large shelf provides storage for accessories, instruction books and small supplies.



VRFMK1
Free Motion Embroidery Kit


Convert the VR into a free motion embroidery machine for quilting and free motion sewing.



PRWT1
Wide Table for Brother PR-Series

Durable surface, great for supporting large or heavy items like quilting squares, towels, blankets, jackets and rugs.

Scan Frame



PRSCANFKIT1
Scan Frame Kit


With the PR Scan Kit there are so many ways to create a custom personal work of art – and a really fun way to create embroidery!

My Design Center integrates with our Camera Scanning Technology to offer new design capabilities at your fingertips, all without a PC. Draw or doodle directly on the LCD display, and watch it spring to life in the large drawing area. Or, use the scanning frame to scan line art, handwriting or printed clip art and have it transformed into embroidery data. Easily add stippling or fill patterns to your embroidery designs and quilt blocks.

Compatible with PR1050 and *PR1055X.


* Included with the PR1055X

Cap Frames


PRPCF1
Wide Cap Frame and Driver Set. Embroidery area 360mm x 60mm

The Brother PRPCF1 provides expanded embroidery area, allowing you to stitch caps virtually ear-to-ear.



PRCF3
Cap Frame and Driver Set. Embroidery area 130mm x 60mm frame and arm

The Advanced Cap Frame Set gives you a generous area for cap embroidery.




PRCF5
Flat Brim Cap Frame and Driver Set. Embroidery area 130mm x 60mm

Patent-Pending Industry-First 'Scratch-Free' Flat Brim Cap Frame. Embroider more types of hats than before with the easy-to-use 'scratch-free' cap frame.


You can stitch an industry leading 35% closer to the brim (6-10mm), depending on the cap.

Flat Brim Cap Frame




Introducing an industry first from Brother: the 'scratch free' Flat Brim Cap Frame!

Stitch a wider variety of snapback caps and stitch a whopping 35% (6-10mm) closer to the brim (dependent on cap/embroidery style). Something that can only be achieved with this revolutionary new frame.




PRPCFH4
Wide Cap Frame (frame only)

Extra cap frame for PRPCF1 set.



PRCFH3
Cap Frame (frame only)

Extra cap frame for PRCF3 set.



PRCFH5
Flat Brim Cap Frame (frame only)

Extra cap frame for PRCF5 set.

Cylinder Frame



PRCL1 Cylinder Frame and Driver Set

The Brother PRCL1 allows you to stitch fashion and logo embroidery on long narrow pant legs, sleeves and other locations.



PRCLH1 Cylinder Frame PRCLH1 (frame only)

The Brother PRCLH1 Cylinder Frame is perfect for setting up a second project while the first is being embroidered.

Extra Cylinder Frame for PRCL1.



Frame Kits



PRSPRTKIT1

Sports Kit

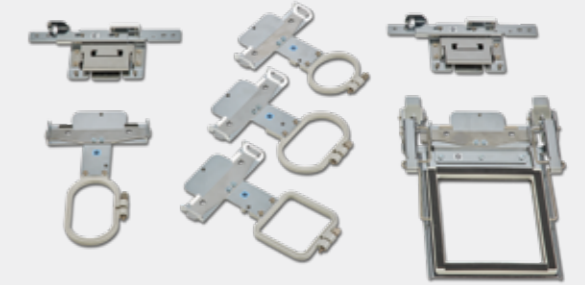
Get moving across a range of activewear with the Entrepreneur PR Sports Kit. With cap frames and a clamp frame logos, monograms and names can be added to clothes, caps, bags and more.

Kit includes

Flat brim cap frame set: PRCF5.

Flat brim cap frame (hoop only): PRCFH5.

Clamp frame set M: PRCLP100B.



PRMNGRMKIT1

Monogram Kit

Add the personal touch with the Entrepreneur PR Monogramming Kit. The clamp frame and compact frame set will give you flawless results on even the smallest of baby clothing.

Kit includes

Compact frame set: PRSFK1.

Clamp frame set M: PRCLP100B.



PRAPRLKIT1

Apparel Kit

Spread your stamp across your entire clothing range with the Entrepreneur PR Apparel Kit. Including a sleeve frame, round frame and tubular frame table, sleeves, cuffs, arms, and legs can be embroidered with ease.

Kit includes

Tubular frame table: PRTT1.

Sleeve frame: PRHSL200.

Round frame set: PRPRFK1.



PRCNSKIT1

Consumables Kit

Everything you need all in one place! Includes iron-on and water-soluble stabiliser, needles and pre-wound bobbins. A great set to get you started straight away, no matter your skill level.

Kit includes

BM3 Brother Iron-on embroidery stabiliser.

BM6 Brother water soluble embroidery stabiliser perfect for making lace embroidery and for use on fabrics with a nap, like towels.

XH3619001 35 pre-wound bobbins.

XC6469001 Two needle sets containing 12 needles.

Magnetic Frames



PRMS360

Magnetic Sash Frame

Patent-Pending Brother-Exclusive Hoopnetic Magnetic Frame. Hoop and embroider thick materials with ease. Avoid fabric shifting and the need to rehoop the fabric when connecting designs or embroidering large areas. Just slide the fabric on the frame for the next area to be embroidered.

PR10 needle = 360 x 200mm.

PR6 needle = 300 x 200mm.

The same frame is used for both series.
Only the max embroidery area changes.



PRVMFLKIT

PR Versatile Magnetic Frame Kit
130 x 180mm (5 x 7")

PRVMFMKIT

PR Versatile Magnetic Frame Kit
100 x 100mm (4 x 4")

Boost productivity with Brother's easy-to-use Magnetic Frame Kit. No more fiddling with catches and levers, just hoop any material up to 2 mm and go!

The magnetic frame set contains the frame and arm F for attaching to your PR.

Perfect for beginners! No catches, no levers, just place the magnets and embroider.

Embroider materials up to 2mm thick.

Reduces scratching and hoop burn damage to your hooped materials.

Use with difficult to hoop and tubular items that cannot be hooped in traditional Clamp M hoops – tote bags, small shirts, embroidery blanks and more!

Now you can stitch on the mid and bottom parts of tote bags.

Can be used without removing the base embroidery frame from the machine.

Scale marks every 10mm for easy position reference.



PRVMFL

PR Versatile Magnetic Frame
130 x 180mm (5 x 7") (frame only)

Extra frame for PRVMFLKIT.







PRVMFM

Versatile magnetic Frame
100 x 100mm (4 x 4") (frame only)

Extra frame for PRVMFMKIT.



Compatibility

	PRVMFM Kit Versatile Magnetic Frame M Kit	PRVMFL Kit Versatile Magnetic Frame L Kit	PRVMFM Versatile Magnetic Frame M Single	PRVMFL Versatile Magnetic Frame L Single
				
Arm type	F			
Emb area (mm/inch)	100 x 100mm 4 x 4"	130 x 180mm 5 x 7"	100 x 100mm 4 x 4"	130 x 180mm 5 x 7"
Compatibility	PR10: PR1055X/PR1050X/PR1000e/PR1000 PR6: PR680W/PR670E/PR655/PR1			
Holding system	Magnets			
Feature	<ul style="list-style-type: none"> • Can embroider tubular items. • Can easily attach/detach the magnets without any tools. • Can be operated without removing the frame from the machine. • Greater versatility than Clamp M frame allows this frame to embroider previously hard to reach places such as the lower part of tote bags. • Can embroider fabrics up to 2mm thick. • Two different sizes available. • There are scale marks every 10mm for easy position reference. 			

PR and VR Accessories

PR Frame holders are always a capital letter A,B,C,D,E,F. VR Frame holders are always a lower case letter a,b,c,d,e

Accessory Name	Frame Holder	Frame Size (mm)	Order Code	PR1055	PR1050X	PR1000	PR680	PR670E	PR655	PR650/E	PR620	PR600II	PR600	VR	PR1
Standard Embroidery Frame	A / a	60 X 40	PRH60	✓	✓	✓	✓	✓	✓	✓	✓	✓	✓	✓	✓
Standard Embroidery Frame	A / a	100 X 100	PRH100	✓	✓	✓	✓	✓	✓	✓	✓	✓	✓	✓	✓
Standard Embroidery Frame	A / a	180 x 130	PRH180	✓	✓	✓	✓	✓	✓	✓	✓	✓	✓	✓	✓
Embroidery Frame (Extra Large)	a	200 X 200	VRTF200	x	x	x	x	x	x	x	x	x	x	x	x
Square Quilt Frame	a	200 X 200	VRRF200	x	x	x	x	x	x	x	x	x	x	x	x
Standard Embroidery Frame (Tubular Frame)	A	300 x 200	PRH300	✓	✓	✓	✓	✓	✓	✓	✓	✓	✓	x	✓
Flat Frame	A	300 X 200	PRF300	✓	✓	✓	✓	✓	✓	✓	✓	✓	✓	x	✓
Extra Large Embroidery Frame	A	360 X 200	PRPH360	✓	✓	✓	x	x	x	x	x	x	x	x	x
Embroidery Frame Holder A (With White Corner Covers)	A	N/A	XE7374001	✓	✓	✓	x	x	x	x	x	x	x	x	x
Embroidery Frame Holder A (With White Corner Covers)	A	N/A	XF2222001	x	x	x	✓	✓	✓	✓	✓	✓	x	x	x
Embroidery Frame Holder a	a	N/A	XG1546001	x	x	x	x	x	x	x	x	x	x	✓	x
Embroidery Frame Holder A (With White Corner Covers)	N/A	N/A	XD0637052	x	x	x	x	x	x	x	x	x	✓	x	x
Sleeve Frame	B	70 X 200	PRHSL200	✓	✓	x	✓	✓	x	x	x	x	x	x	✓
Quilt Frame	B	200 X 200	PRPOF200	✓	✓	✓	✓	✓	✓	x	x	x	x	x	✓
Border Frame	B	300 X 100	PRPBF1	✓	✓	✓	✓	✓	✓	x	x	x	x	x	✓
Jumbo Frame	B	360 X 360	PRPJF360	✓	✓	✓	x	x	x	x	x	x	x	x	x
Border Frame Set + Embroidery Frame Holder b	b	180 X 100	VRBF180	x	x	x	x	x	x	x	x	x	x	✓	x
Embroidery Frame Holder B	B	N/A	XF2223001	x	x	x	✓	✓	✓	x	x	x	x	x	x
Embroidery Frame Holder B (With Light Grey Corner Covers)	B	N/A	XE7376001	✓	✓	✓	x	x	x	x	x	x	x	x	✓
Round Frame Set	C	Ø100, 130, 160 + Frame Holder	PRPRFK1	✓	✓	✓	✓	✓	✓	x	x	x	x	x	x
Round Frame Set + Embroidery Frame Holder c	c	Ø100, 130, 160 + Frame Holder	VRRFK1	x	x	x	x	x	x	x	x	x	x	✓	✓
Round Frame 100mm	C / c	Ø100	PRPRF100	✓	✓	✓	✓	✓	✓	x	x	x	x	✓	✓
Round Frame 130mm	C / c	Ø130	PRPRF130	✓	✓	✓	✓	✓	✓	x	x	x	x	✓	✓
Round Frame 160mm	C / c	Ø160	PRPRF160	✓	✓	✓	✓	✓	✓	x	x	x	x	✓	✓
Embroidery Frame Holder C (With Dark Gray Covers)	C	N/A	PRPARMC	✓	✓	✓	✓	✓	✓	x	x	x	x	x	x
Embroidery Frame Holder c	c	N/A	XG1552101	x	x	x	x	x	x	x	x	x	x	✓	x

PR and VR Accessories continued

PR Frame holders are always a capital letter A,B,C,D,E,F. VR Frame holders are always a lower case letter a,b,c,d,e

Accessory Name	Frame Holder	Frame Size (mm)	Order Code	PR1055	PR1050X	PR1000	PR680	PR670E	PR655	PR650/E	PR620	PR600II	PR600	VR	PR1
Clamp Frame S Straight Set	D	45 X 24	PRCLP45B	✓	✓	*Need to have ver 4.10 or later.	✓	✓	✓	x	x	x	x	x	✓
Clamp Frame S Straight	D	45 X 24	Not available in Europe	✓	✓	*Need to have ver 4.10 or later.	✓	✓	✓	x	x	x	x	x	x
Clamp Frames S (L and R) Set	D	45 X 24	Not available in Europe	✓	✓	*Need to have ver 4.10 or later.	✓	✓	✓	x	x	x	x	x	x
Clamp Frames S (L and R)	D	45 X 24	PRCLP45LR	✓	✓	*Need to have ver 4.10 or later.	✓	✓	✓	x	x	x	x	x	x
Clamp Frame M set	D	100 X 100	PRCLP100B	✓	✓	*Need to have ver 4.10 or later.	✓	✓	✓	x	x	x	x	x	✓
Clamp Frame S	d	45 X 24	VRCLP45B	x	x	x	x	x	x	x	x	x	x	✓	x
Clamp Frame M set	d	100 X 100	VRCLP100B	x	x	x	x	x	x	x	x	x	x	✓	x
Clamp hoop M assy	d	100 X 100	XG5597001	x	x	x	x	x	x	x	x	x	x	✓	x
Frame Holder D	D	N/A	XF2202001	✓	✓	*Need to have ver 4.10 or later.	✓	✓	✓	x	x	x	x	x	x
Frame Holder d	d	N/A	XG1554001	x	x	x	x	x	x	x	x	x	x	✓	x
Compact Frame Set	E	Compact Frame 70 - 70 X 41 Compact Frame 50 - 50 X 50 Compact Frame 44 - 44 X 38 Compact Frame Vertical - 33 X 75	PRSFK1	✓	✓	✓	✓	✓	✓	x	x	x	x	x	✓
Compact Frame 70	E / e	70 X 41	VRSF70	✓	✓	✓	✓	✓	✓	x	x	x	x	✓	x
Compact Frame 50	E / e	50 X 50	VRSF50	✓	✓	✓	✓	✓	✓	x	x	x	x	✓	x
Compact Frame 44	E / e	44 X 38	VRSF44	✓	✓	✓	✓	✓	✓	x	x	x	x	✓	x
Compact Frame Vertical	E / e	33 X 75	VRSFV	✓	✓	✓	✓	✓	✓	x	x	x	x	✓	x
Embroidery Frame Holder e	e	N/A	XG2408001	x	x	x	x	x	x	x	x	x	x	✓	x
Embroidery Frame Holder E	E	N/A	XG5434001	✓	✓	✓	✓	✓	✓	x	x	x	x	✓	x
Magnetic Frame Set	E	50 X 50	PRMFA50	✓	✓	x	✓	✓	✓	x	x	x	x	✓	✓
Magnetic Frame	E / e	50 X 50	PRMF50	✓	✓	x	✓	✓	✓	x	x	x	x	✓	✓
Free Arm Mounting Jig For Magnetic or Compact Frames	N/A	N/A	PRMFJ1	✓	✓	✓	✓	✓	✓	x	x	x	x	x	x

PR and VR Accessories continued

PR Frame holders are always a capital letter A,B,C,D,E,F. VR Frame holders are always a lower case letter a,b,c,d,e

Accessory Name	Frame Holder	Frame Size (mm)	Order Code	PR1055	PR1050X	PR1000	PR680	PR670E	PR655	PR650/E	PR620	PR600II	PR600	VR	PR1
Versatile Magnetic Frame L Kit	F	180 x 130	PRVMFLKIT	✓	✓	✓	✓	✓	✓	x	x	x	x	x	✓
Versatile Magnetic Frame	F	180 x 130	PRVMFL	✓	✓	✓	✓	✓	✓	x	x	x	x	x	✓
Versatile Magnetic Frame M Kit	F	100 X 100	PRVMFMKIT	✓	✓	✓	✓	✓	✓	x	x	x	x	x	✓
Versatile Magnetic Frame	F	100 X 100	PRVMFM	✓	✓	✓	✓	✓	✓	x	x	x	x	x	✓
Wide Cap Frame Set	No Frame holder used	360 X 60	PRPCF1	✓	✓	✓	x	x	x	x	x	x	x	x	x
Wide Cap Frame	No Frame holder used	360 X 60	PRPCFH4	✓	✓	✓	x	x	x	x	x	x	x	x	x
Advanced Cap Frame Set	No Frame holder used	130 X 50	PRPCF2	✓	✓	✓	✓	✓	✓	✓	✓	✓	✓	x	x
Advanced Cap Frame	No Frame holder used	130 X 50	PRPCFH2	✓	✓	✓	✓	✓	✓	✓	✓	✓	✓	x	x
Cap Frame	No Frame holder used	130 X 60	PRPCFH3	✓	✓	✓	✓	✓	✓	*Need to have the upgrade kit	✓	*Need to have the upgrade kit	✓	✓	✓
Mounting Jig (For Cap Frame PRCFH3)	No Frame holder used	N/A	PRPCFJ2	✓	✓	✓	✓	✓	✓	✓	✓	✓	✓	✓	✓
Cap Frame (Set)	No Frame holder used	130 X 60	PRPCF3	✓	✓	✓	✓	✓	✓	*Need to have the upgrade kit	✓	*Need to have the upgrade kit	✓	✓	✓
Flat Brim Cap Frame	No Frame holder used	130 X 60	PRPCFH5	✓	✓	✓	✓	✓	✓	✓	✓	x	x	✓	✓
Flat Brim Cap Frame (Set)	No Frame holder used	130 X 60	PRPCF5	✓	✓	✓	✓	✓	✓	✓	✓	x	x	✓	✓
Magnetic Sash Frame	No Frame holder used	PR10 needle = 360 X 200 PR6 needle = 300 X 200 The same frame is used for both series Only the max frame size changes	PRMMS360	✓	✓	✓	✓	✓	✓	✓	x	x	x	x	✓
Cylinder Frame	No Frame holder used	90 X 80	PRCLH1	✓	✓	✓	✓	✓	✓	*Need to have the upgrade kit	✓	*Need to have the upgrade kit	✓	✓	✓
Cylinder Frame Set	No Frame holder used	90 X 80	PRCL1	✓	✓	✓	✓	✓	✓	*Need to have the upgrade kit	✓	*Need to have the upgrade kit	✓	✓	✓
Wide Table	No Frame holder used	N/A	PRWTT1	✓	✓	✓	✓	✓	✓	✓	✓	✓	✓	x	x
Wide Table	No Frame holder used	N/A	VRWTT1	x	x	x	x	x	x	x	x	x	x	✓	✓
Wide Table	No Frame holder used	N/A	PR1XWTT1	x	x	x	x	x	x	x	x	x	x	x	✓

PR and VR Accessories continued

PR Frame holders are always a capital letter A,B,C,D,E,F. VR Frame holders are always a lower case letter a,b,c,d,e

Accessory Name	Frame Holder	Frame Size (mm)	Order Code	PR1055	PR1050X	PR1000	PR680	PR670E	PR655	PR650/E	PR620	PR600II	PR600	VR	PR1
Free Motion Kit	No Frame holder used	N/A	VRFMK1	x	x	x	x	x	x	x	x	x	x	✓	x
Scan Frame	No Frame holder used	N/A	XG5900001	✓	✓	x	x	x	x	x	x	x	x	x	x
Scan Frame Set (with Magnets)	No Frame holder used	N/A	PRSCAN-FKIT1	✓	✓	x	x	x	x	x	x	x	x	x	x
Tubular Frame table	No Frame holder used	N/A	PRTT1	✓	✓	✓	✓	✓	✓	✓	✓	x	x	✓	✓
Embroidery Stand	No Frame holder used	N/A	VRPRNSTD	✓	✓	✓	✓	✓	✓	✓	✓	✓	✓	✓	✓

Embroidery Sheets

Accessory Name	Size	Order Code	PR1055	PR1050	PR1000	PR680	PR670	PR655	PR650	PR620	PR600II	PR600	VR
Embroidery sheet (Extra Large)	360 X 200	XE7158101	✓	✓	✓	x	x	x	x	x	x	x	x
Embroidery sheet (Extra Large)	300 X 200	XC5704051	✓	✓	✓	✓	✓	✓	✓	✓	✓	✓	x
Embroidery sheet (Extra Large)	200 X 200	XE7171001	x	x	x	x	x	x	x	x	x	x	✓
Embroidery sheet (Large)	180 X 130	XC5721051	✓	✓	✓	✓	✓	✓	✓	✓	✓	✓	✓
Embroidery sheet (Medium)	100 X 100	XC5759051	✓	✓	✓	✓	✓	✓	✓	✓	✓	✓	✓
Embroidery sheet (Small)	60 X 40	XC5761051	✓	✓	✓	✓	✓	✓	✓	✓	✓	✓	✓

brother
at your side